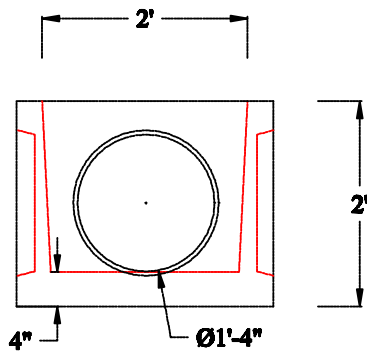
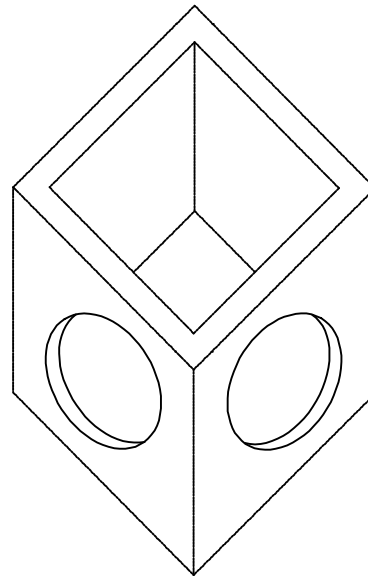
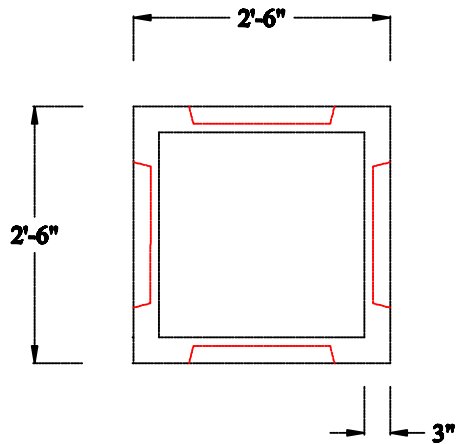


# J.B. CONCRETE PRODUCTS, INC.

2'x2' YARD BOX

DATE:  
Jan. 4, 2017

Drawing I.D.  
2x2YB



## Notes:

1. YARD BOX AVAILABLE WITH CAST IRON FRAME AND GRATE (ADA COMPLIANT AVAIL.).
2. 4 - 16" DIAMETER KNOCKOUTS.
3. MINIMUM CONCRETE COMPRESSION STRENGTH 5,000 PSI AFTER 28 DAYS.
4. RISER SECTIONS AVAILABLE - 6", 12", 18" OR 24" HEIGHTS

1 Arch St  
PO Box 387  
Putnam, CT 06260  
(860)928-9365  
F (860)928-9452  
[www.jbconcreteproducts.com](http://www.jbconcreteproducts.com)