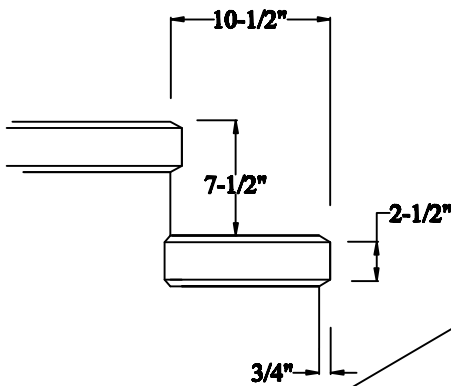


J.B. CONCRETE PRODUCTS, INC.

PRECAST FRONT ENTRANCE STEPS

DATE:
Jan. 3, 2007

Drawing I.D.
Steps

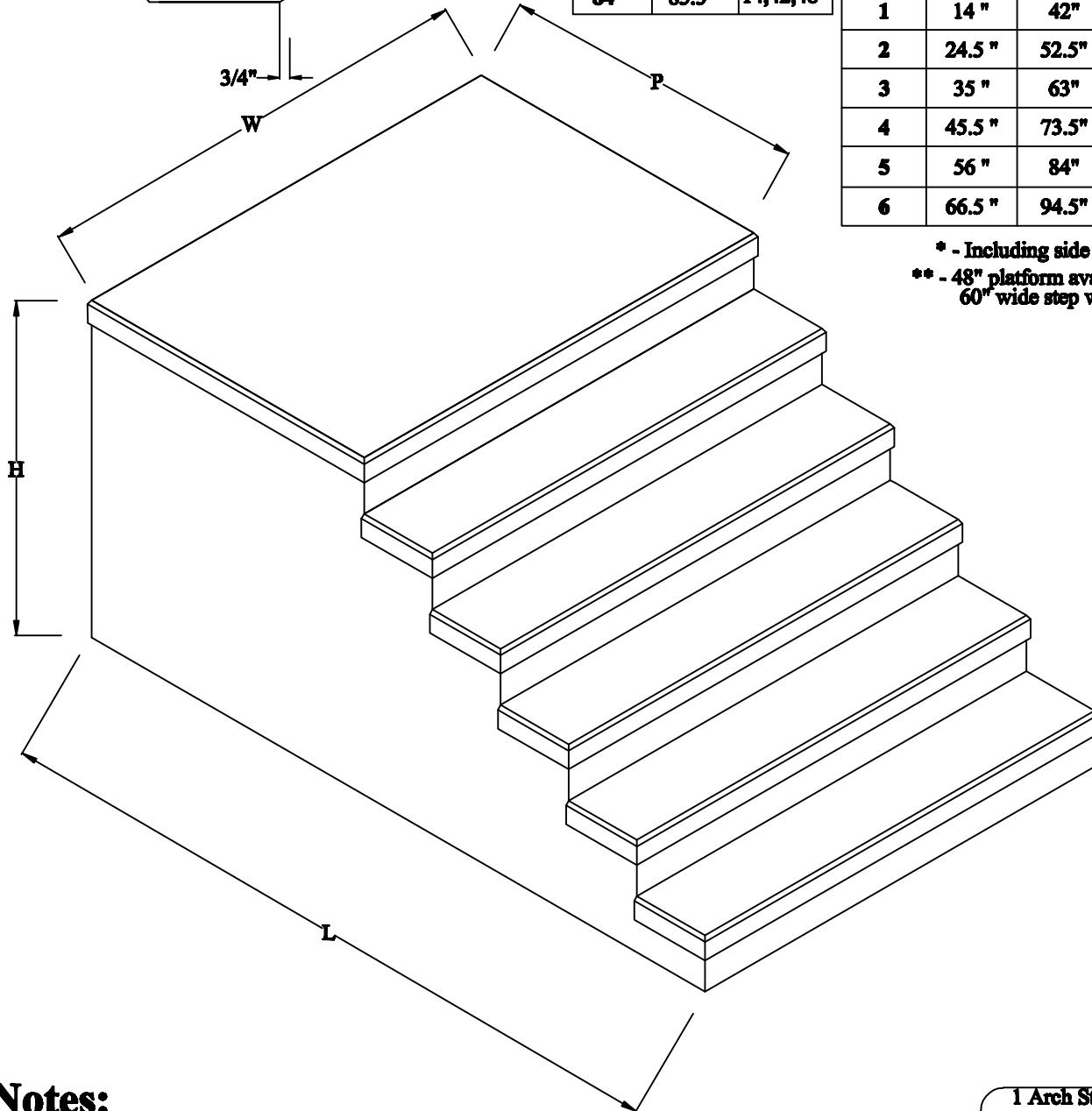


| Step Measurements | | |
|-------------------|--------------|-----------------|
| W | Total Width* | P |
| 60" | 61.5" | 12,42,48" ** |
| 72" | 73.5" | 12,42" |
| 84" | 85.5" | 14,42,48" |

| Step Measurements | | | | |
|-------------------|-----------------|-----------------|-----------------|-------|
| # Risers | L | L | L | H |
| | 14" Platform | 42" Platform | 48" Platform | |
| 1 | 14" | 42" | 48" | 7.5" |
| 2 | 24.5" | 52.5" | 58.5" | 15" |
| 3 | 35" | 63" | 69" | 22.5" |
| 4 | 45.5" | 73.5" | 79.5" | 30" |
| 5 | 56" | 84" | 90" | 37.5" |
| 6 | 66.5" | 94.5" | 100.5" | 45" |

* - Including side nosing

** - 48" platform available on
60" wide step with closed back



Notes:

1. WROUGHT IRON RAILINGS OPTIONAL.
3. MINIMUM CONCRETE COMPRESSION STRENGTH 5,000 PSI AFTER 28 DAYS.
4. TREADS AND PLATFORM BROOM FINISHED.
5. SOLID BACK OPTIONAL TO ALLOW FOR SIDE ENTRY (60" WIDE ONLY).

1 Arch St
PO Box 387
Putnam, CT 06260
(860)928-9365
F (860)928-9452
www.jbconcreteproducts.com