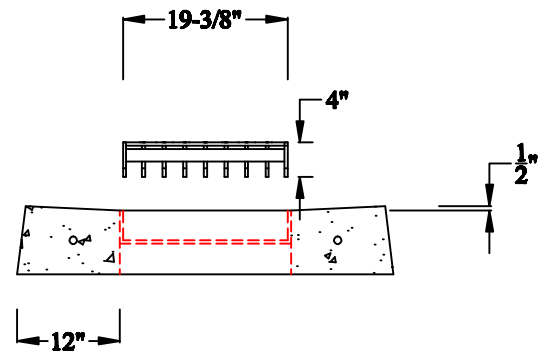
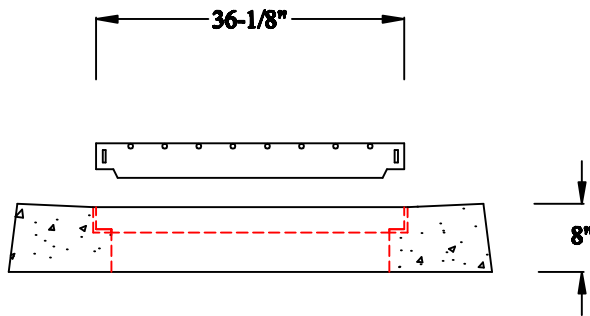
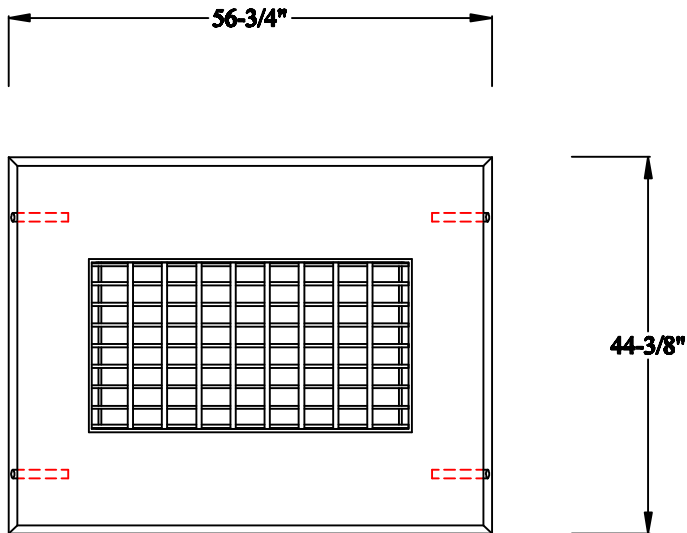


J.B. CONCRETE PRODUCTS, INC.

CT CATCH BASINS - TYPE 'CL' FLAT TOP

DATE:
Jan. 3, 2008

Drawing I.D.
CTCB_FLATTOP



Notes:

1. MINIMUM CONCRETE COMPRESSION STRENGTH 5,000 PSI AFTER 28 DAYS.
2. GRATE MEETS CONNECTICUT D.O.T. 507K.

1 Arch St
PO Box 387
Putnam, CT 06260
(860)928-9365
F (860)928-9452
www.jbconcreteproducts.com