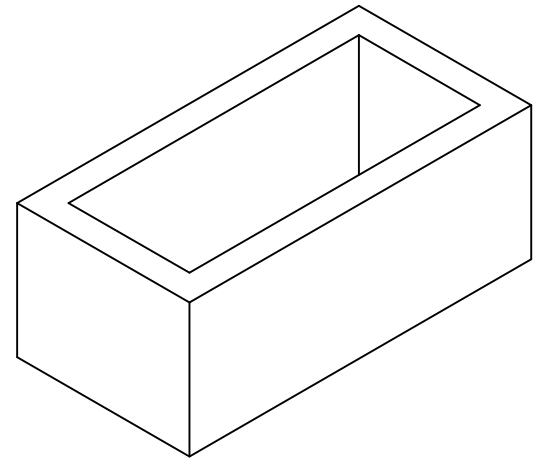
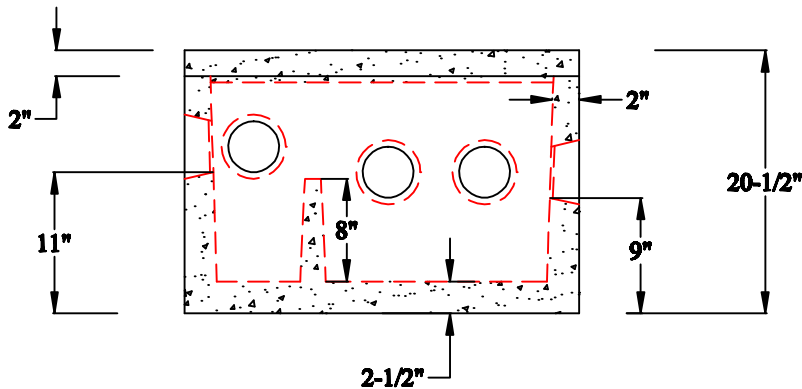
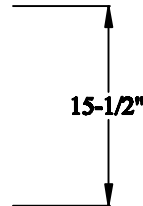
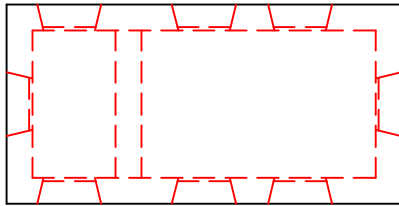
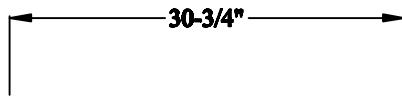
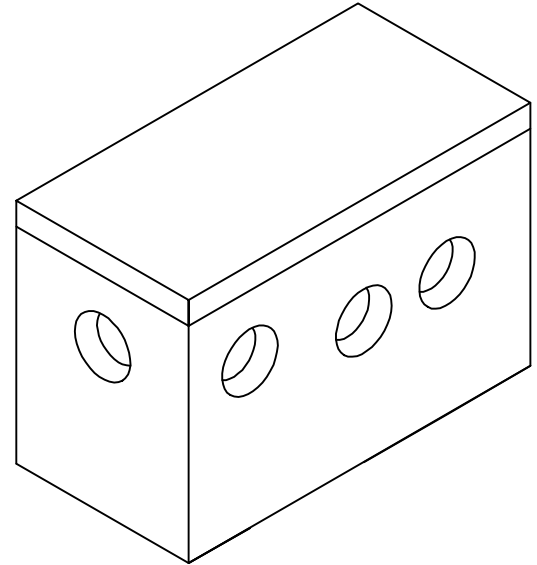


J.B. CONCRETE PRODUCTS, INC.

DB5 - BAFFLE BOX - 3 INLETS, 5 OUTLETS

DATE:
Jan. 3, 2008

Drawing I.D.
DB5_BAFFLE



12" Riser Optional

Notes:

1. MINIMUM CONCRETE COMPRESSION STRENGTH 5,000 PSI AFTER 28 DAYS.
2. THREE (3) 4" INLETS, FIVE (5) 4" OUTLETS.
3. STATE APPROVED INLET AND OUTLET PIPE SEALS.
4. 12" RISERS AVAILABLE.

1 Arch St
PO Box 387
Putnam, CT 06260
(860)928-9365
F (860)928-9452
www.jbconcreteproducts.com