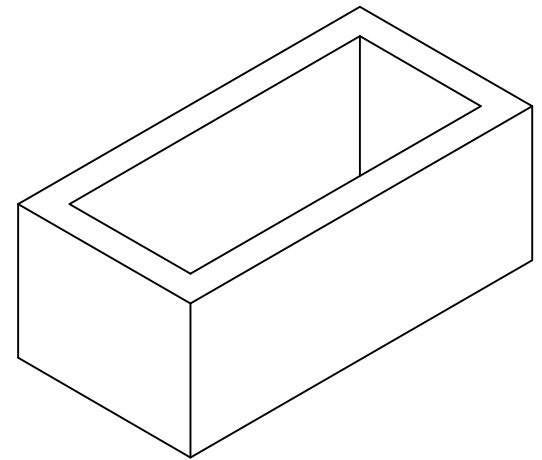
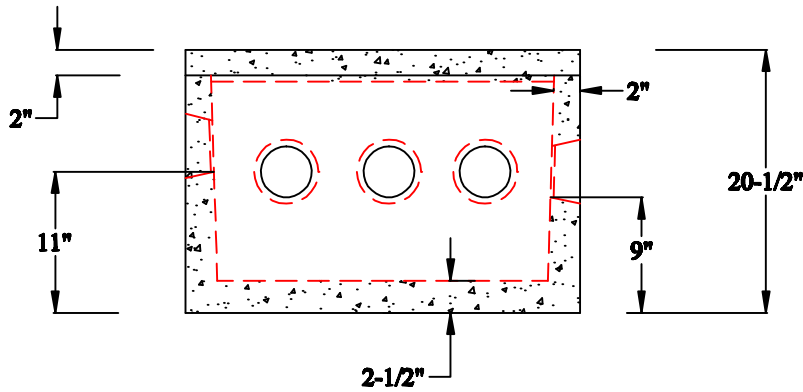
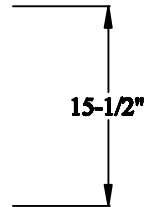
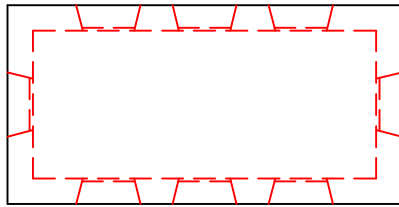
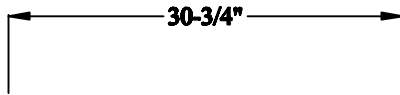
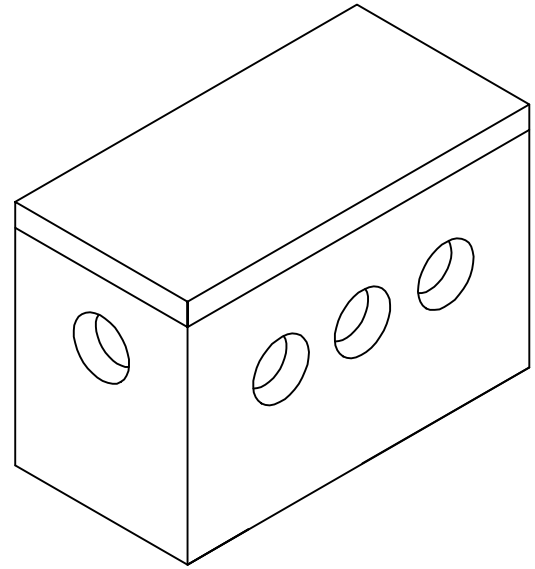


J.B. CONCRETE PRODUCTS, INC.

DB7 - 1 INLET, 7 OUTLETS

DATE:
Jan. 3, 2008

Drawing I.D.
DB7



12" Riser Optional

Notes:

1. MINIMUM CONCRETE COMPRESSION STRENGTH 5,000 PSI AFTER 28 DAYS.
2. ONE (1) 4" INLET, SEVEN (7) 4" OUTLETS.
3. STATE APPROVED INLET AND OUTLET PIPE SEALS.
4. 12" RISERS AVAILABLE.

1 Arch St
PO Box 387
Putnam, CT 06260
(860)928-9365
F (860)928-9452
www.jbconcreteproducts.com