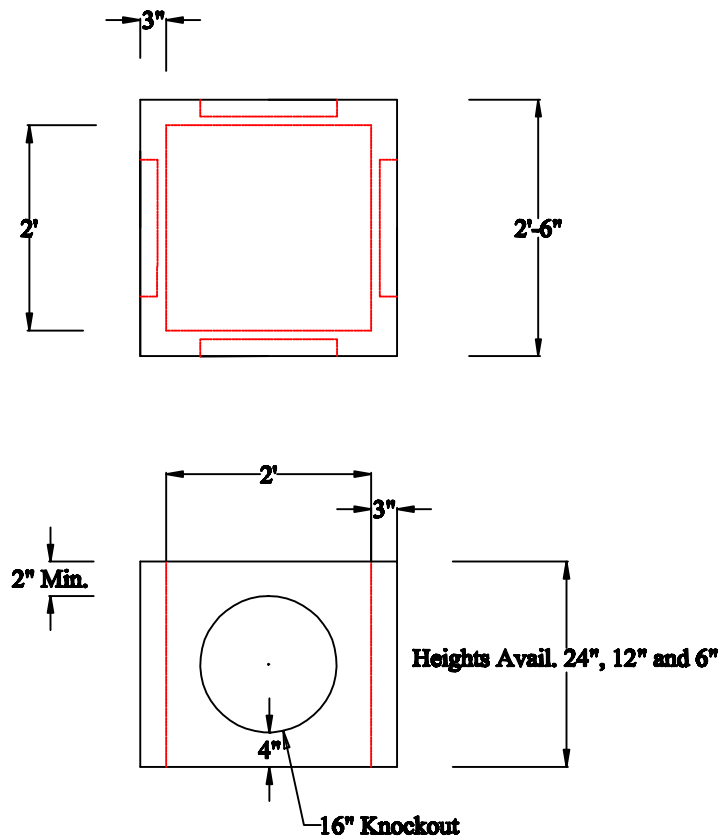


J.B. CONCRETE PRODUCTS, INC.

2'x2' Yard Box Riser

DATE:
Oct. 2014

Drawing I.D.
Yardbox_Riser



Notes:

1. MINIMUM CONCRETE COMPRESSION STRENGTH MIN. 5,000 PSI AFTER 28 DAYS..
2. 16" DIAMETER KNOCKOUTS 4 PLACES ON 2' SECTION ONLY
3. H20 DESIGN LOAD RATING
4. CAST IRON FRAME AND REMOVABLE STANDARD OR ADA COMPLIANT GRATE
5. APPROX. WEIGHT OF CONCRETE 2' SECTION - 500 LBS
6. SECTION IS MONOLITHIC
7. REINFORCING STEEL DEFORMED BARS CONFORM TO LATEST ASTM A615

1 Arch St
PO Box 387
Putnam, CT 06260
(860)928-9365
F (860)928-9452
www.jbconcreteproducts.com