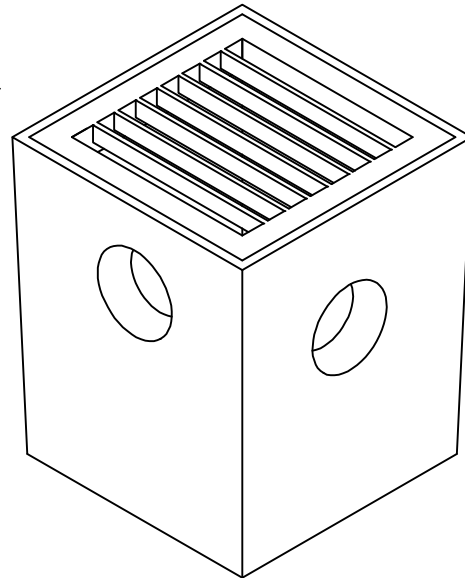
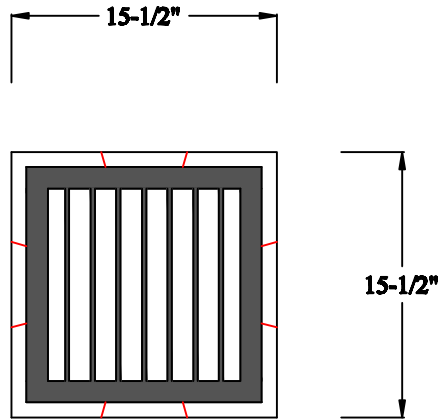


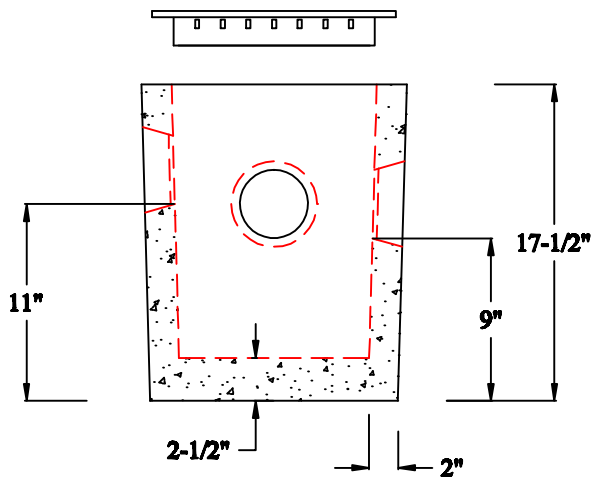
# J.B. CONCRETE PRODUCTS, INC.

**YARD DRAIN**

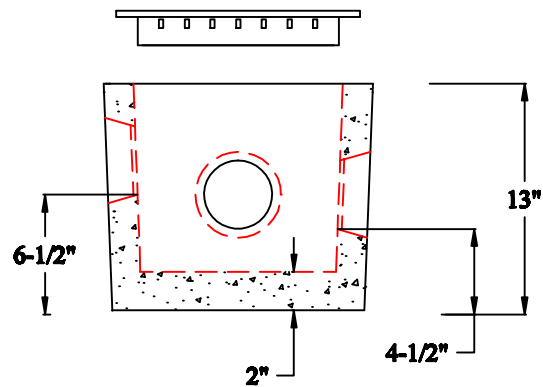
DATE:  
March. 3, 2008  
Drawing I.D.  
YD\_SINGLE



**Standard Yard Drain**



**Low-Profile Yard Drain**



## Notes:

1. YARD DRAINS AVAILABLE STEEL GRATES.
2. ONE (1) 4" INLET, THREE (3) 4" OUTLETS.
3. INLETS AND OUTLETS ACCEPT 2", 3", 4" SCH 40, SDR 35 AND CORRUGATED PIPE WITH NO GROUTING NECESSARY.
4. MINIMUM CONCRETE COMPRESSION STRENGTH 5,000 PSI AFTER 28 DAYS.

1 Arch St  
PO Box 387  
Putnam, CT 06260  
(860)928-9365  
F (860)928-9452  
[www.jbconcreteproducts.com](http://www.jbconcreteproducts.com)