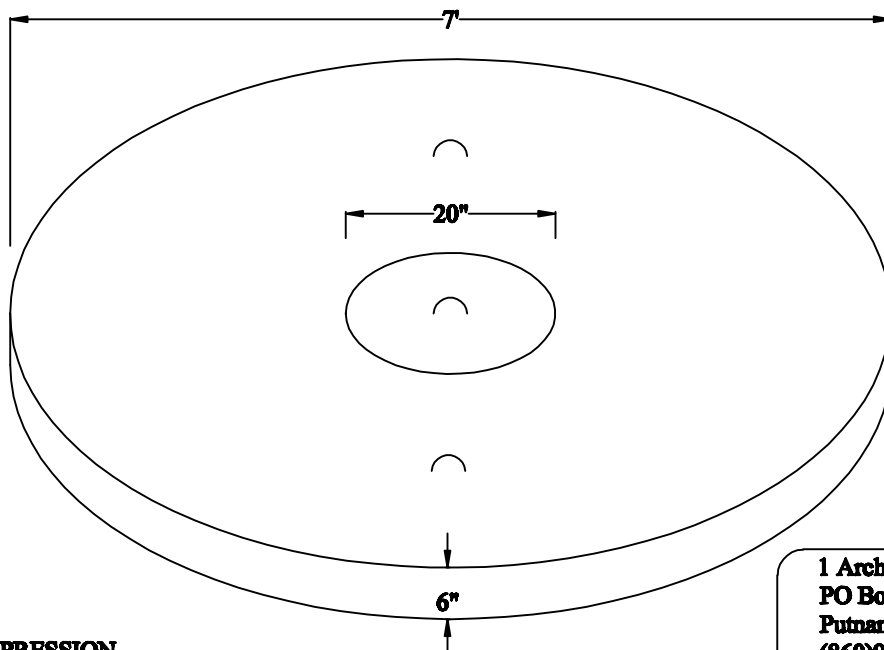
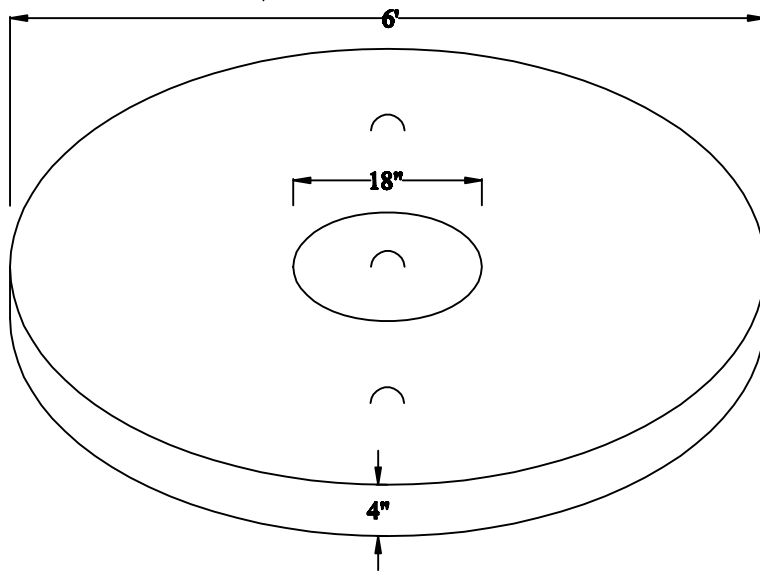
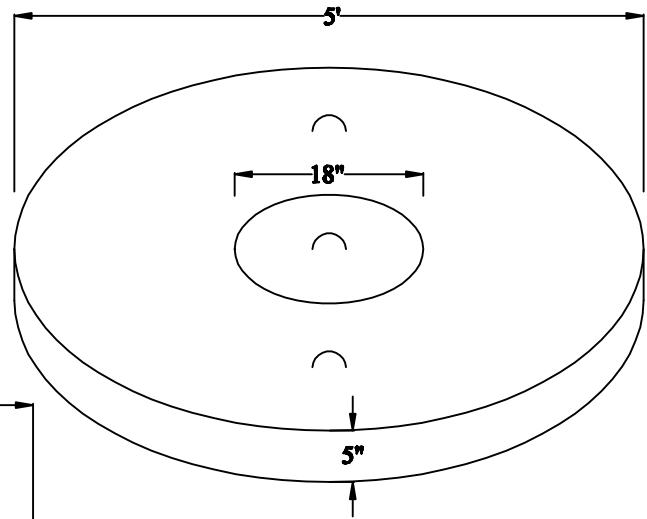
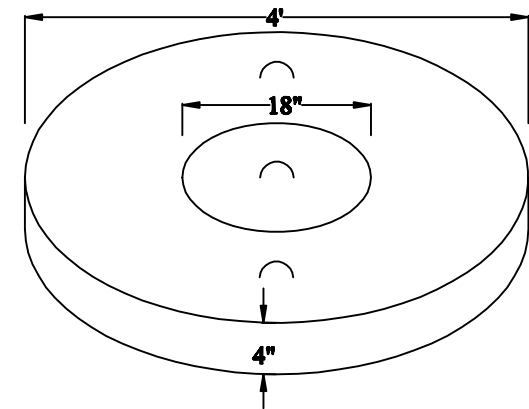


J.B. CONCRETE PRODUCTS, INC.

ROUND COVERS

Drawing I.D.
ROUNDCOVERS

DATE:
Jan. 3, 2008



Notes:

1. MINIMUM CONCRETE COMPRESSION STRENGTH 5,000 PSI AFTER 28 DAYS.

1 Arch St
PO Box 387
Putnam, CT 06260
(860)928-9365
F (860)928-9452
www.jbconcreteproducts.com