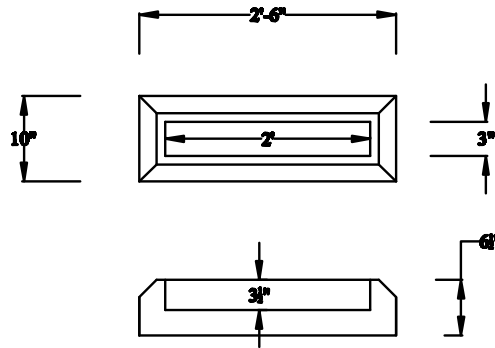


J.B. CONCRETE PRODUCTS, INC.

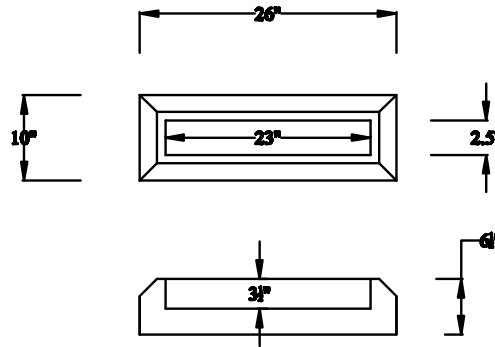
Gravestone Bases

DATE:
April 26, 2019
Drawing I.D.
G.B.

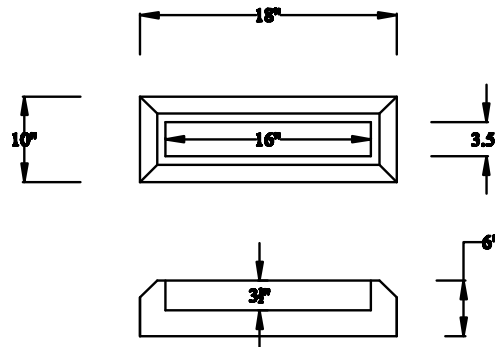
TYPE A



TYPE B



TYPE C



NOT TO SCALE

Notes:

1. MINIMUM CONCRETE COMPRESSION STRENGTH 5,000 PSI AFTER 28 DAYS.

1 Arch St
PO Box 387
Putnam, CT 06260
(860)928-9365
F (860)928-9452
www.jbconcreteproducts.com