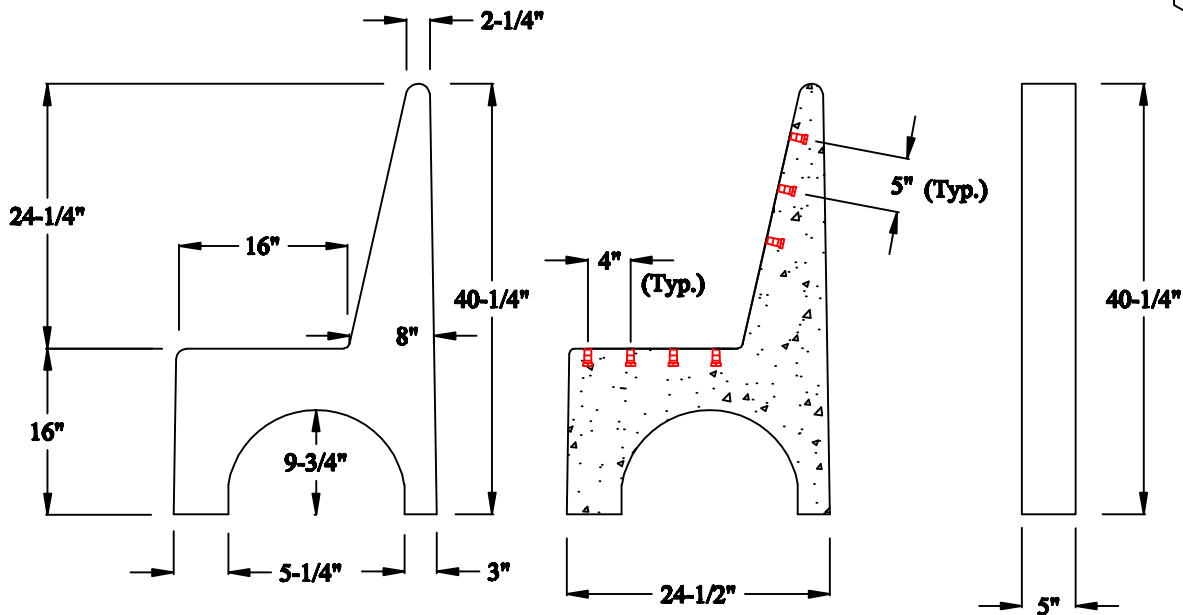
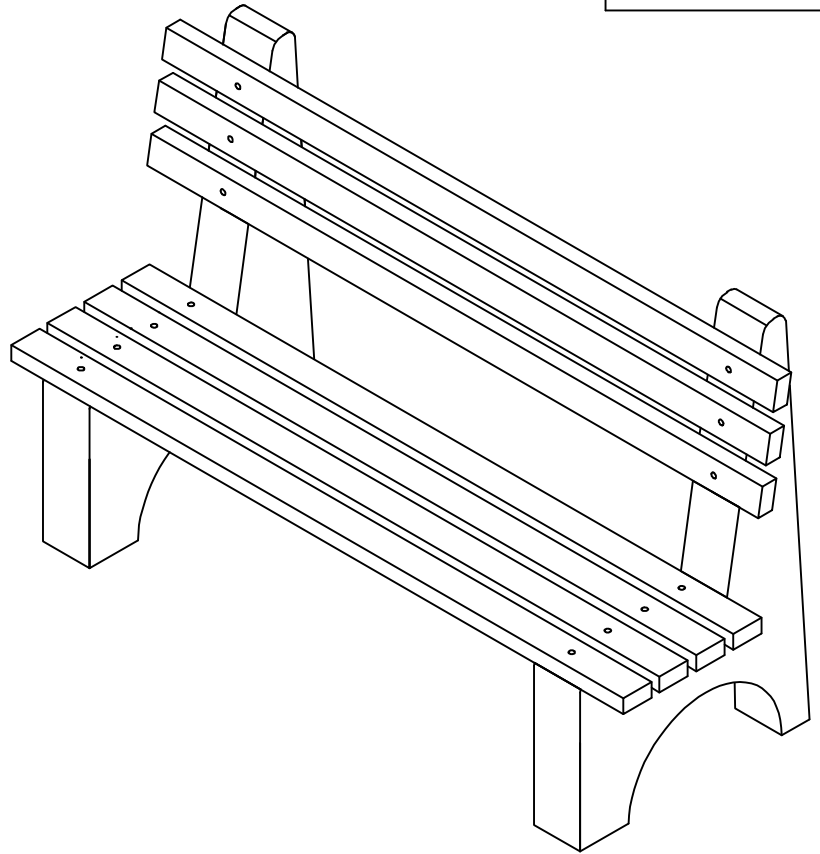


J.B. CONCRETE PRODUCTS, INC.

PRECAST CONCRETE BENCH ENDS

DATE:
Jan. 3, 2008

Drawing I.D.
BENCH_END



Notes:

1. MINIMUM CONCRETE COMPRESSION STRENGTH 5,000 PSI AFTER 28 DAYS.
2. THREADED INSERTS ($\frac{3}{8}$ ") CAST INTO PRODUCT FOR SEAT INSTALLATION.
3. 2"X4" SEATING PLANKS NOT INCLUDED.

1 Arch St
PO Box 387
Putnam, CT 06260
(860)928-9365
F (860)928-9452
www.jbconcreteproducts.com