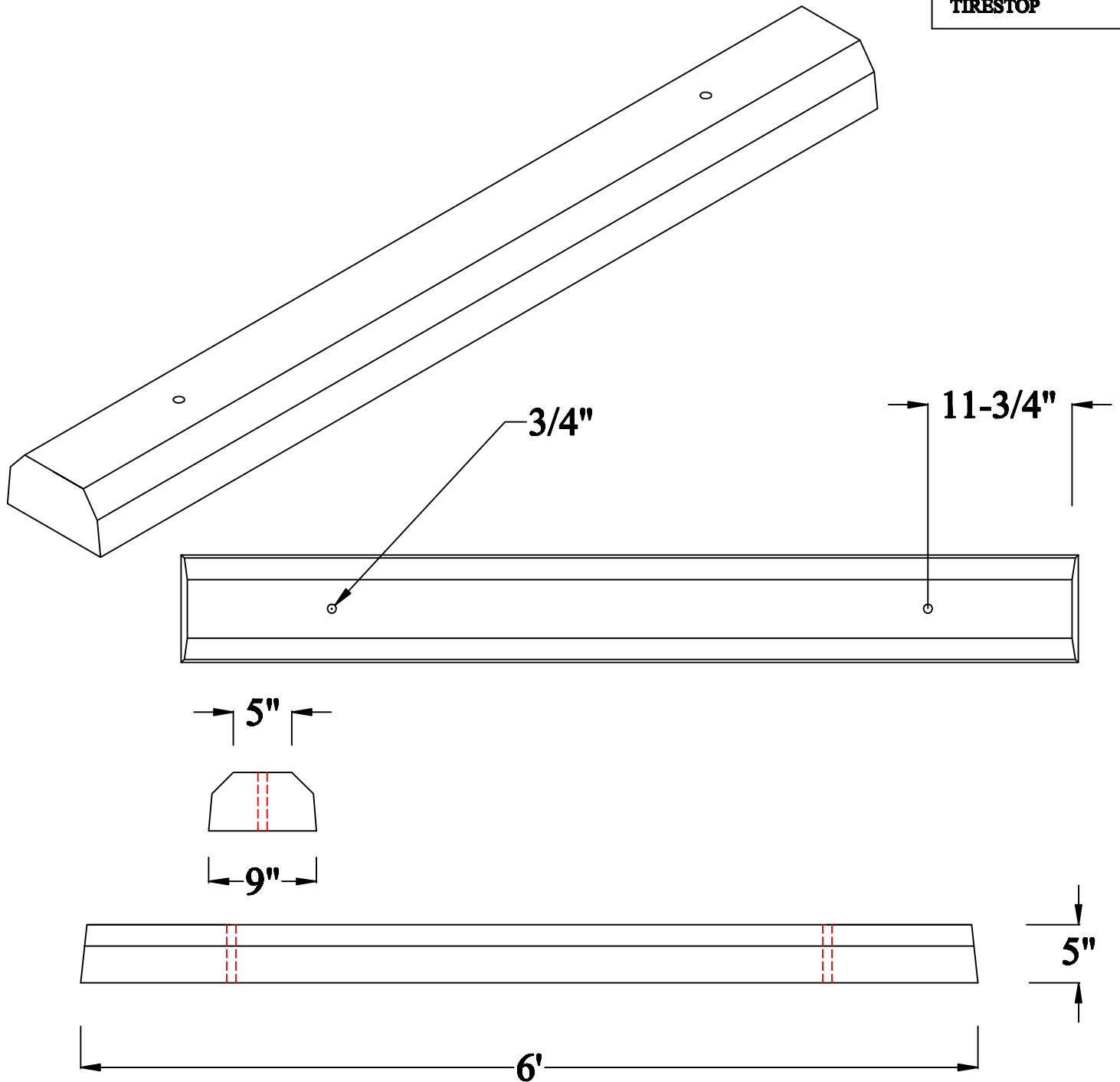


J.B. CONCRETE PRODUCTS, INC.

TIRE STOP

DATE:
Jan. 3, 2008

Drawing I.D.
TIRESTOP



Notes:

1. MINIMUM CONCRETE COMPRESSION STRENGTH 5,000 PSI AFTER 28 DAYS.
2. TWO (2) HOLES CAST TO DRIVE PINS INTO GROUND (PINS SOLD SEPERATLY)
3. REINFORCED WITH #4 REBAR IN TWO PLACES

1 Arch St
PO Box 387
Putnam, CT 06260
(860)928-9365
F (860)928-9452
www.jbconcreteproducts.com