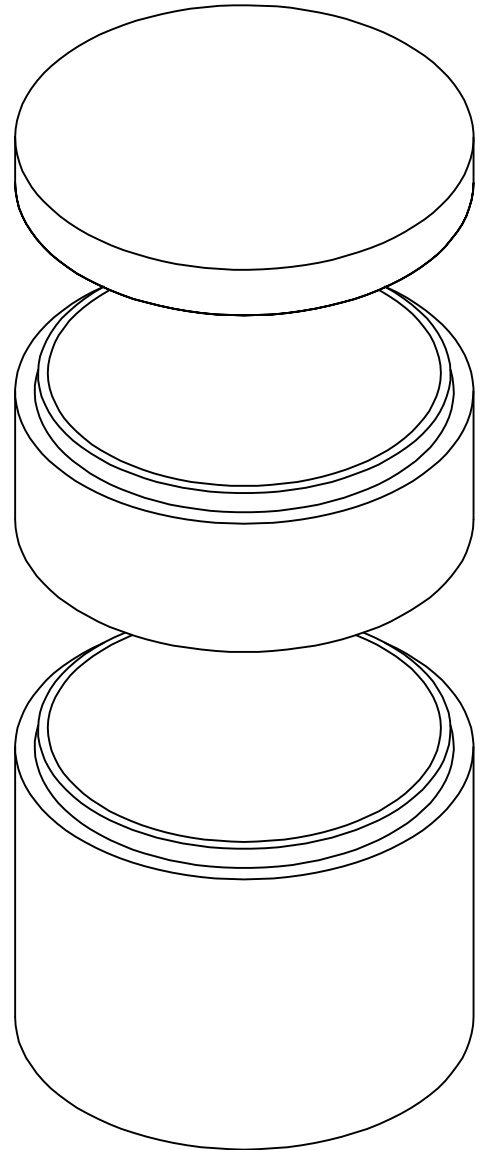
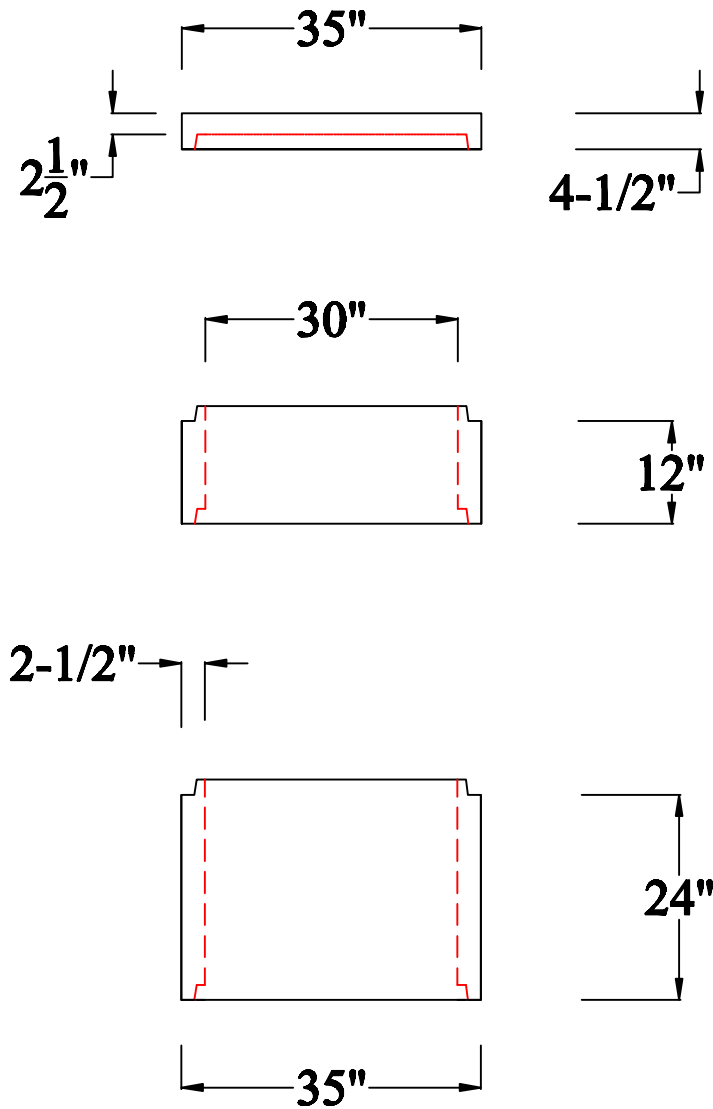


J.B. CONCRETE PRODUCTS, INC.

30" DIA. WELL TILE

DATE:
Jan. 3, 2008

Drawing I.D.
WELLTILE_30



Notes:

1. MINIMUM CONCRETE COMPRESSION STRENGTH 5,000 PSI AFTER 28 DAYS.
2. REINFORCED WITH WELDED WIRE MESH.
3. AVAILABLE IN HIGHTHS OF 24" AND 12".

1 Arch St
PO Box 387
Putnam, CT 06260
(860)928-9365
F (860)928-9452
www.jbconcreteproducts.com