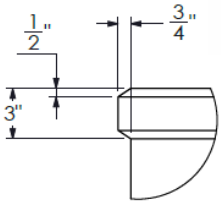
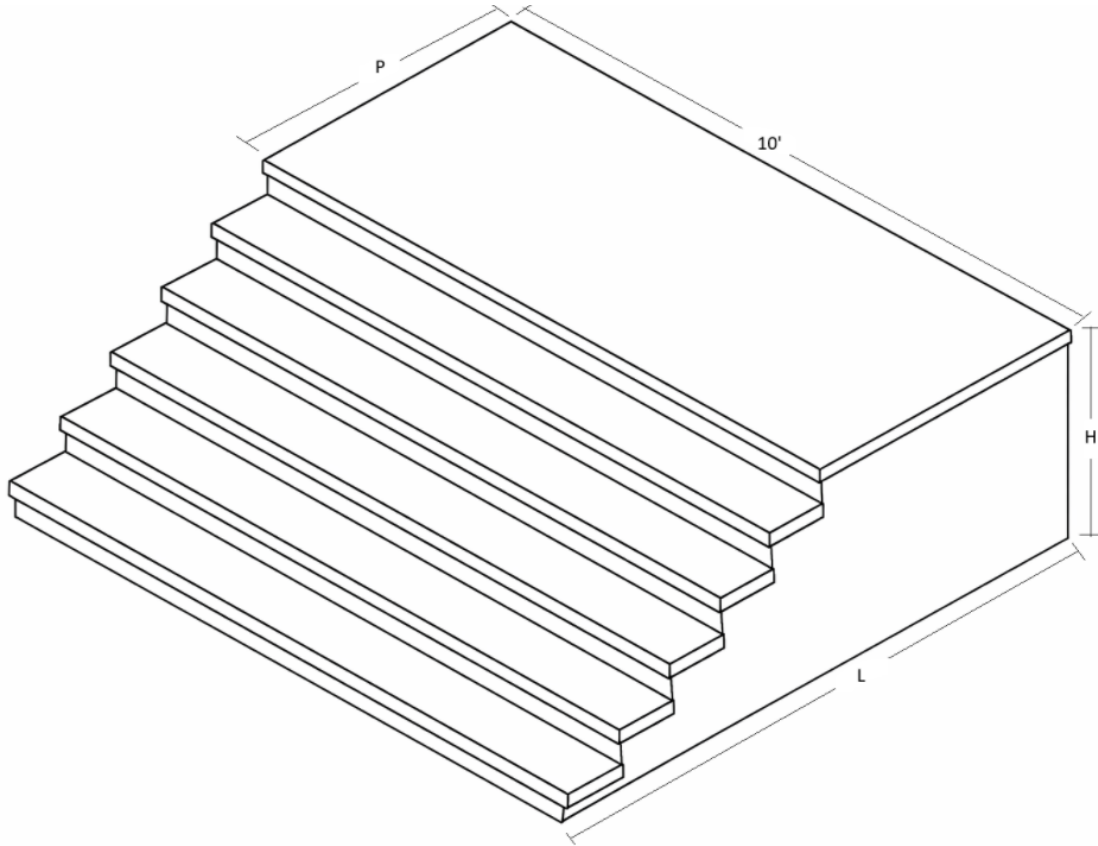


J.B. CONCRETE PRODUCTS, INC.

10' PRECAST FRONT ENTRANCE STEP

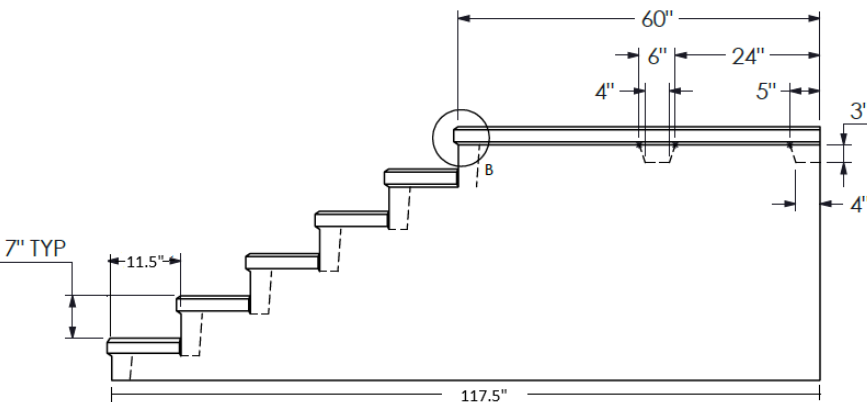
DATE:
June 25 2021

Drawing I.D.
10'Step



Step Measurements

	L	L	L	L	L	L	H
# Risers	12" Platform	24" Platform	36" Platform	42" Platform	48" Platform	60" Platform	
1	12"	24"	36"	42"	48"	60"	7"
2	23.5"	35.5"	47.5"	53.5"	59.5"	71.5"	14"
3	35"	47"	59"	65"	71"	83"	21"
4	46.5"	58.5"	70.5"	76.5"	82.5"	94.5"	28"
5	58"	70"	82"	88"	94"	106"	35"
6	69.5"	81.5"	93.5"	99.5"	105.5"	117.5"	42"



NOTES:

1. Available with 1-6 risers.
2. Platform depths available: 12", 24", 36", 42", 48", 60"
3. Wrought iron railings optional, made to order.
4. Treads and platform broom finished.
5. Minimum concrete compression strength 5,000 psi after 28 days.

1 Arch St
PO Box 387
Putnam, CT 06260
(860)928-9365
F (860)928-9452
www.jbconcreteproducts.com