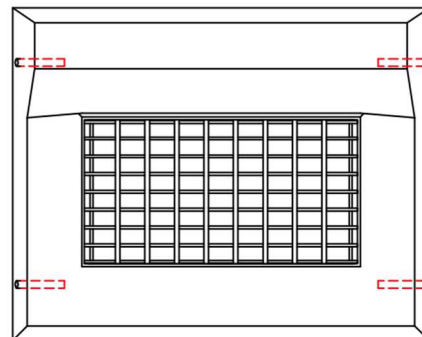
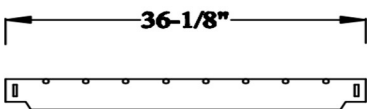
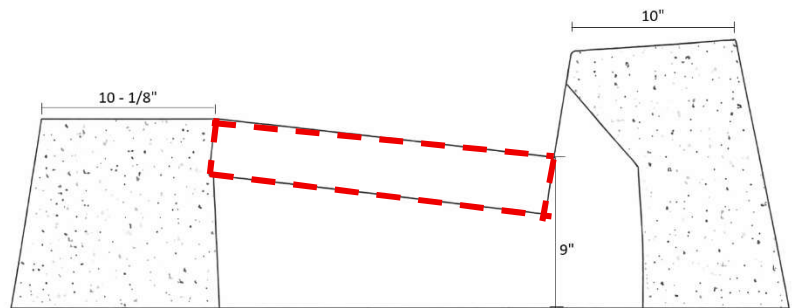
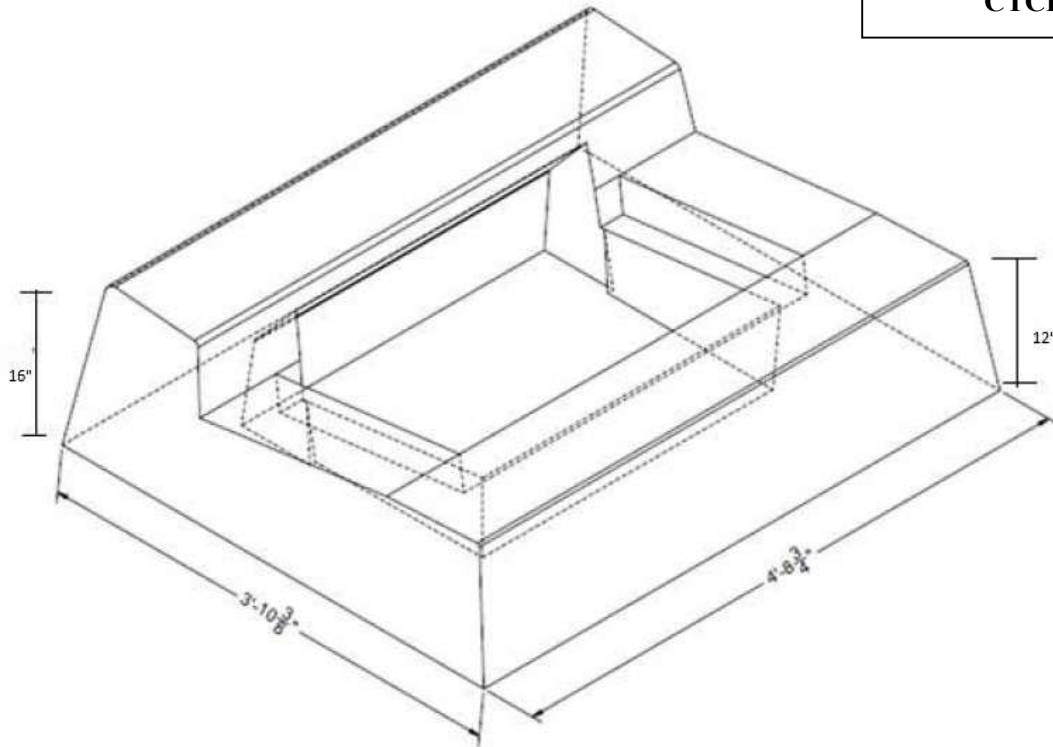


J.B. CONCRETE PRODUCTS, INC.

CT CATCH BASINS – TYPE ‘C’ CURB

DATE:
JAN. 22, 2026

DRAWING ID:
CTCB_CTOP



Notes:

1. MINIMUM CONCRETE COMPRESSION STRENGTH 5,000 PSI AFTER 28 DAYS.
2. GALVANIZED GRATE MEETS CONNECTICUT D.O.T. 504K

1 Arch St
PO Box 387
Putnam, CT 06260
(860)928-9365
F (860)928-9452
www.jbconcreteproducts.com